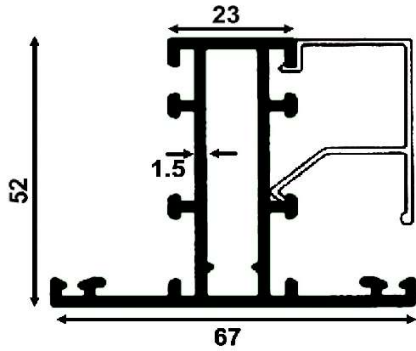
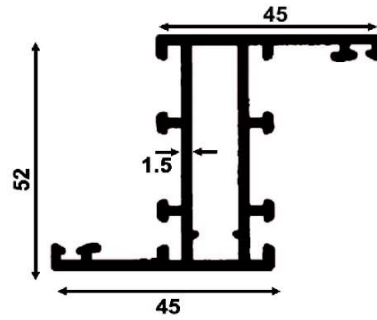


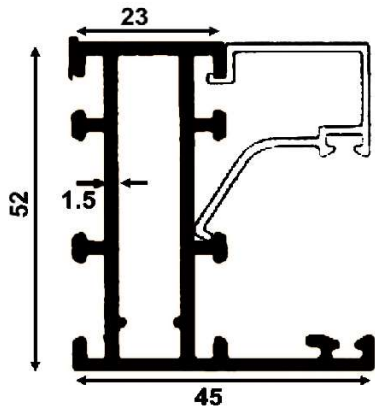
CASEMENT SERIES - 52MM



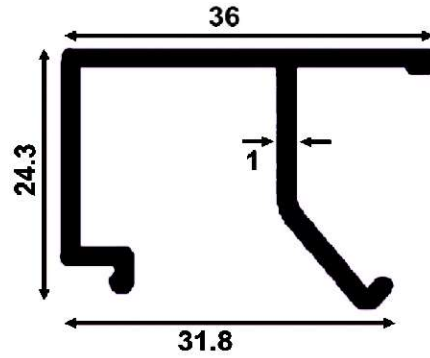
SL.NO.	SECTION NO.	WEIGHT(KG/M)
1	2840	0.941



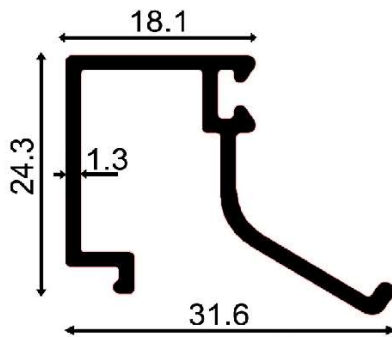
SL.NO.	SECTION NO.	WEIGHT(KG/M)
1	2842	0.940



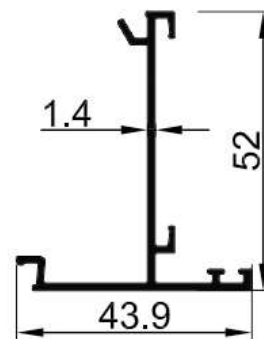
SL.NO.	SECTION NO.	WEIGHT(KG/M)
1	2844	0.882



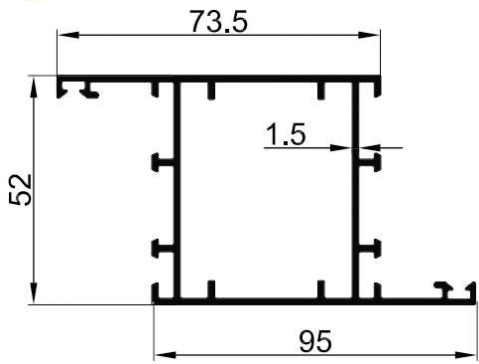
SL.NO.	SECTION NO.	WEIGHT(KG/M)
1	2846	0.350



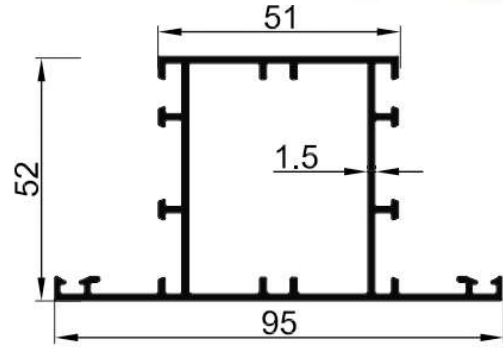
SL.NO.	SECTION NO.	WEIGHT(KG/M)
1	2847	0.328



SL.NO.	SECTION NO.	WEIGHT(KG/M)
1	2843	0.471



SL.NO.	SECTION NO.	WEIGHT(KG/M)
1	2879	1.294



SL.NO.	SECTION NO.	WEIGHT(KG/M)
1	2845	1.289